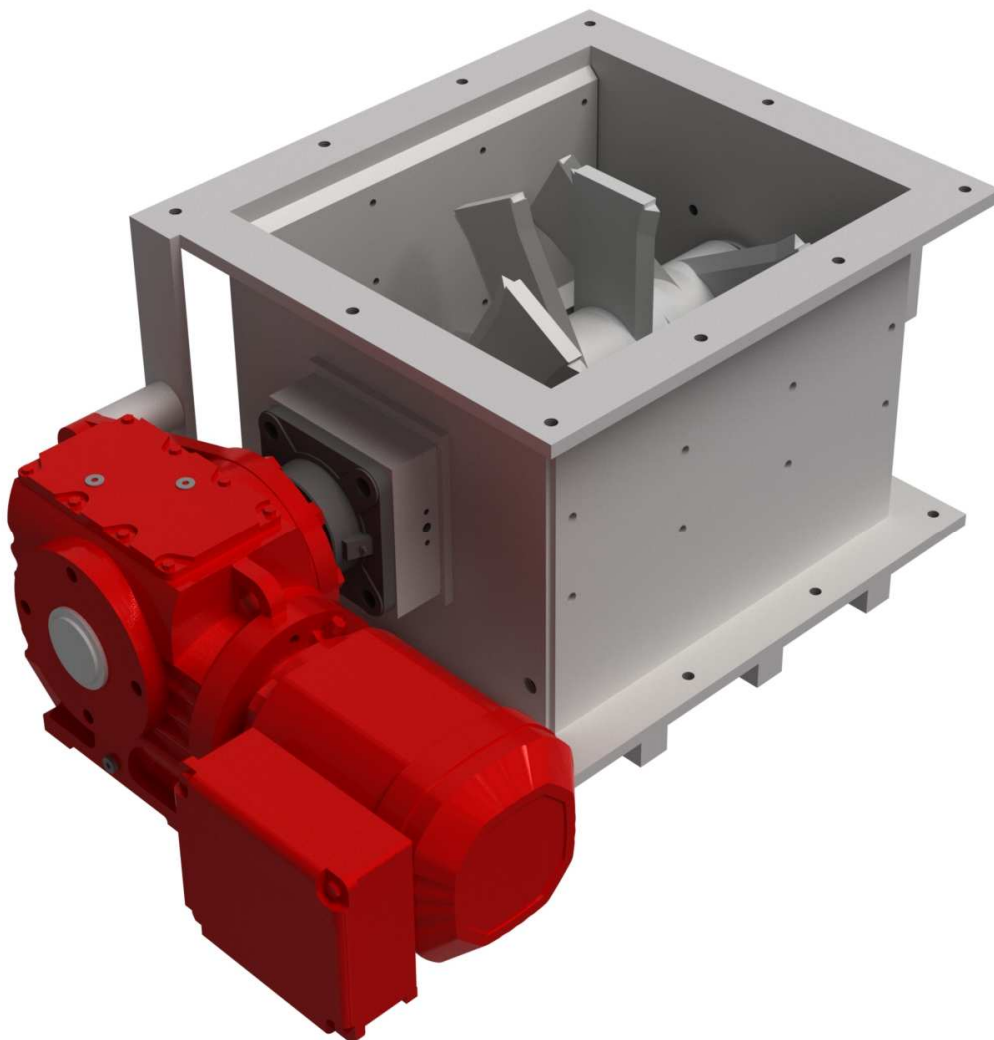


# DL – DELUMPER

## MATERIAL SHREDDING

---



- DL is used to shred material, for instance biomass, straw, wood chips etc.
- DL is a relatively simple machine, with a strong construction.

## PRINCIPLES OF OPERATION

The Delumper (DL) is used to shred large lumps of material. The machine can handle semi hard, soft, sticky and wet materials and has a high capacity.

## GENERAL DESCRIPTION

The Delumper has a strong shaft throughout the housing that is directly connected to a gear motor. The shaft is supported in both ends by two flanged bearings, mounted on the outside of the housing.

Material is fed by gravity to the inlet chamber at the top from where it is dragged into the shredding zone by the action of the rotating blades.

Top of the housing is constructed with a mounting flange for connection to ducts, hoppers, feeders or valves.

The bottom has a flange with optional holes and/or supporting points as feet.

A number of blades are attached to the shaft in a specific pattern, where they are spread out with a certain amount of degrees between them.

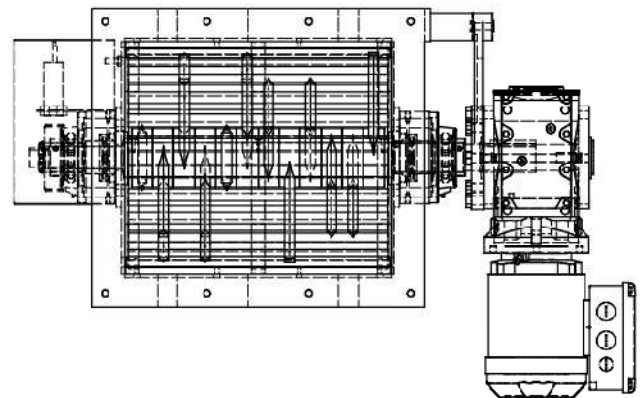
The blades are individually interchangeable and can be made of hardened steel.

A grid is located below the blades to make sure the passing material is shredded; it is easily replaced by unscrewing 4 bolts.

## TECHNICAL DATA

Drive unit:	Gear motor
Voltage:	400/230V-50Hz or as required
Sensor:	Rotation sensor
Housing:	Painted mild steel

## DRAWING



The Delumper essentially consists of the following parts:

- Gear motor
- Robust housing
- Shredding blades
- Bottom grid
- Flanged bearings

# COMPANY PROFILE

M&W JAWO HANDLING IS AN INTERNATIONALLY WORKING ENGINEERING COMPANY SPECIALISED IN DESIGN, MANUFACTURING AND SUPPLY OF INDIVIDUAL MACHINE UNITS AND SYSTEMS FOR REPRESENTATIVE SAMPLING OF POWDER AND BULK MATERIAL. SEVERAL HUNDRED SYSTEMS ARE SUCCESSFULLY SAMPLING IN THE INDUSTRY WORLD-WIDE.